

MODEL

200-TRAY

FIBER
MANAGEMENT
TRAY



The model 200-TRAY is a machined aluminum fiber management tray that can be mounted directly to a 203, 205, or 207 LaserMount. Wide radius with lipped edges contain the fiber without the need for clips or ties. The tray can also be used with the 200-C cover.



QUICK INSTALLATION

Installs with four screws.



PROTECTS EXCESS FIBER

Machined aluminum guides retain and protect excess fiber without the need for clips or ties.



WORKS WITH LASER COVER

Works with 200-C Laser Cover.

AT-A-GLANCE

Works With

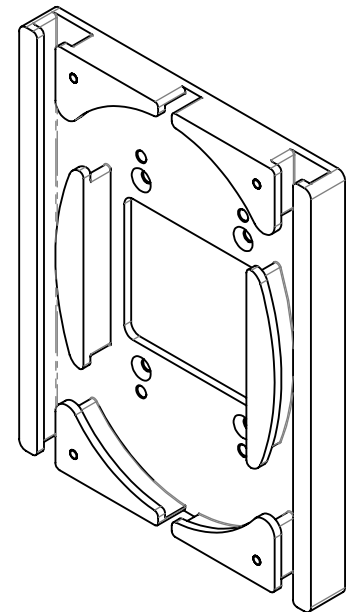
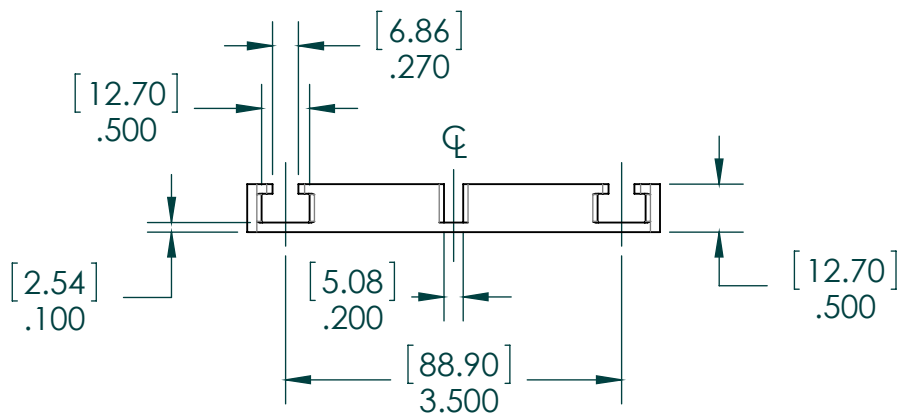
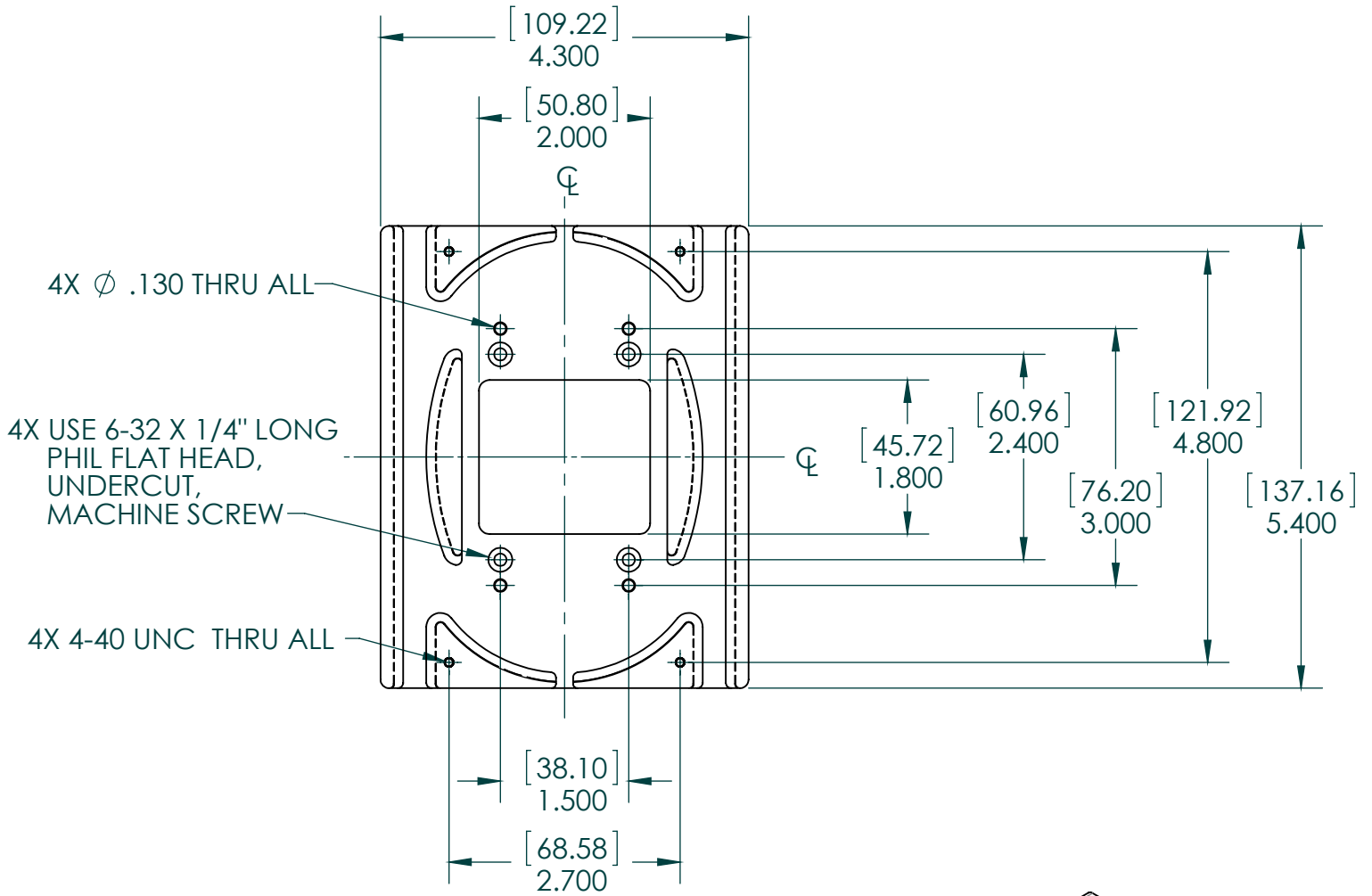
- ▶ 203 Butterfly LaserMount
- ▶ 205 TEC Butterfly LaserMount
- ▶ 207 TEC LaserMount

Features

- ▶ Retains excess fiber
- ▶ Fiber exit paths on front and rear of tray
- ▶ Anodized aluminum
- ▶ Can be used with 200-C Cover

Combine with 200-C and 200-TRAY accessories to meet your application needs.

DIMENSIONAL INFORMATION



www.arroyoinstruments.com



arroyo instruments

800-644-0416

624 Clarion Court, San Luis Obispo, CA 93401

sales@arroyoinstruments.com