

MODEL **274****HIGH-POWER
TECMOUNT**

The 274 TECMount provides a powerful cooling platform designed to meet demanding temperature control requirements. With the use of water cooling, the 274 achieves up to 180W cooling capacity! Customize the 3.2" cold plate according to your project requirements.



ACTIVE HEATING AND COOLING

The 274 LaserMount includes a build-in Peltier device and temperature sensor for bi-polar temperature control, up to 180 Watts.



CUSTOMIZABLE ALUMINUM COLD PLATE

100% copper cold-plate with mounting holes for common lasers and LEDs, and hard nickel plating for maximum performance and scratch resistance. **Custom mounting configurations available.**



ADAPTOR PLATES (OPTIONAL)

3.2", 4.2", 5.2" Adaptor Plates available



TEMPERATURE SENSOR SWITCH

Does your device have an onboard temperature sensor? Flip a switch to bypass the mount's cold plate sensor and send the signal directly to your temperature controller.

AT-A-GLANCE

Mounting Plates

- ▶ All Copper Design
- ▶ Standard Breadboard Pattern
- ▶ Customizable Mounting Holes
- ▶ Adaptor Plates Available

Cooling Mode

- ▶ Active Heating & Cooling
- ▶ Water Cooled

Thermal Capacity

- ▶ 180 Watts

Also Includes

- ▶ Integrated Fan
- ▶ External Temperature Switch



OPTIONAL HIGH TEMPERATURE

The 274 TECMount is available in an optional high temperature configuration, allowing for operation up to 150°C, but retaining the temperature range and thermal capacity of the standard mount. Because thermistors do not perform well at high temperatures, the sensor is replaced with a high accuracy Pt 100 RTD sensor.

Contact the factory for a quote.

274 TECMOUNT SPECIFICATIONS

		274	274-150
Temperature Control	Temperature Range (C)	-25 to +85, non-condensing	-25 to +150, non-condensing
	Sensor Type	10kΩ Thermister	100Ω Platinum RTD
	TE Module (at 25 °C)	I _{max} = 16A V _{max} = 33V	

General	Temperature Controller Connector	DB-15, male
	External Sensor	Phoenix 2-Pin
	Recommended Coolant	Distilled Water
	Max Water Pressure (psi)	80
	Minimum Flow Rate (L/min)	1
	Max Housing Temperature (°C)	60
	Size (H x W x D) [inches (mm)]	2.5 (63.5) x 4.8 (121.9) x 3.2 (81.3)

Wetted Materials	Housing	Anodized AL 6061-T6
	Dissipative Plate	Electroless nickel plated AL 6061-T6
	Fittings	UNS C36000 Brass
	O-ring	EPDM

RECOMMENDED CONTROLLERS AND CABLES

The right temperature controller for your application depends on the mount and temperature range your application requires:

MODEL 274

5305 TECSOURCE and 1260B cable or,
6300 ComboSOURCE and 1260B cable or,
5300-10-18 TECSOURCE and 1262B cable or,
5400-15-28 TECSOURCE and 1264-DB15 cable

MODEL 274, 150°C

5300-10-18 TECSOURCE and 1262B cable or,
5400-15-28 TECSOURCE and 1264-DB15 cable

www.arroyoinstruments.com



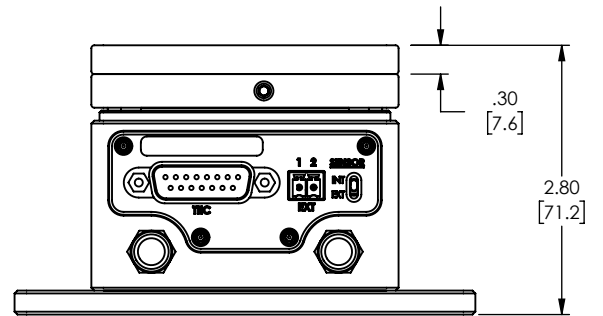
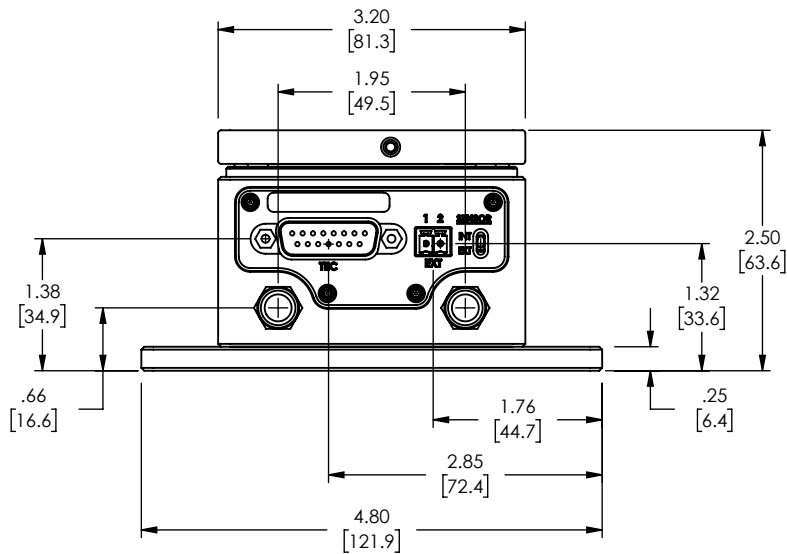
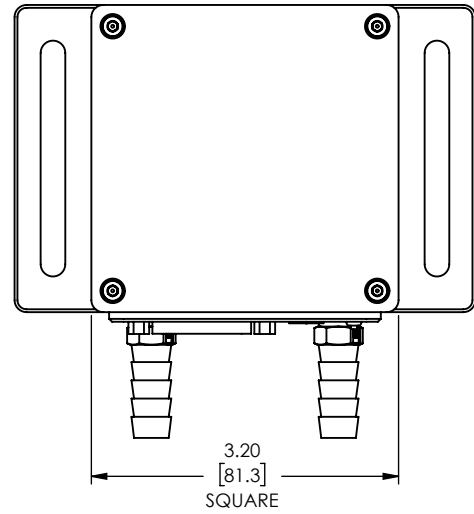
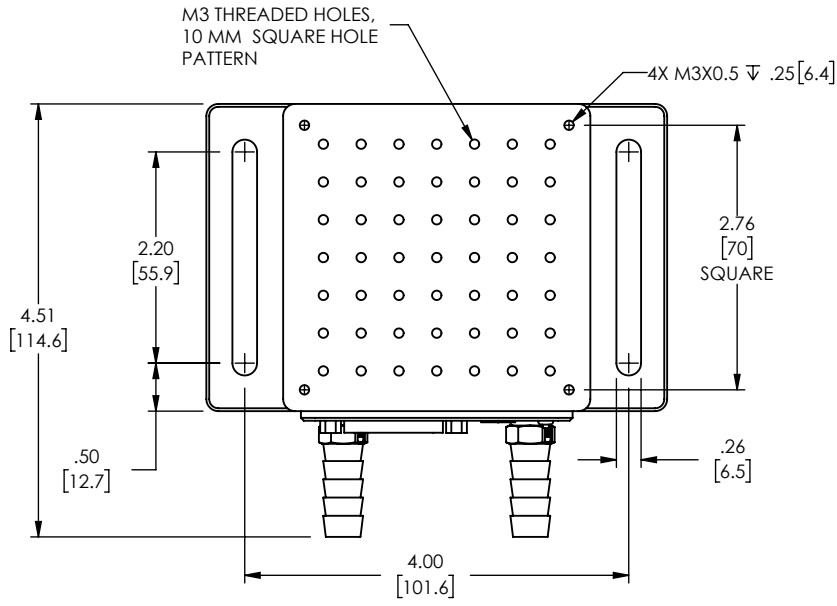
1201 Prospect Street, San Luis Obispo, CA 93401

800-644-0416

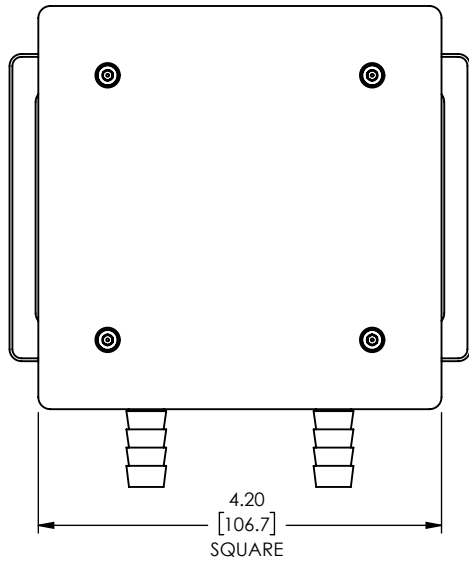
sales@arroyoinstruments.com

MECHANICAL DRAWING

3.2" ADAPTOR PLATE



4.2" ADAPTOR PLATE



5.2" ADAPTOR PLATE

