

MODEL **285****HIGH-POWER
TECMOUNT**

The 285 TECMount provides a flexible heating and cooling platform design to meet demanding temperature control requirements. With a large 4" square cold plate utilizing a breadboard-style mounting system, the 285 is easily integrated into a broad range of applications.



ACTIVE HEATING AND COOLING

The 285 LaserMount includes a build-in Peltier device and temperature sensor for bi-polar temperature control, up to 50 Watts.



CUSTOMIZABLE ALUMINUM COLD PLATE

100% aluminum cold-plate with mounting holes for common lasers and LEDs, and hard nickel plating for maximum performance and durability. **Custom mounting configurations available.**



FLEXIBLE MOUNTING SURFACE

Engineered to provide edge access on three sides of the cold plate.



ADAPTOR PLATES (OPTIONAL)

3.2", 4.2", 5.2" Adaptor Plates available



TEMPERATURE SENSOR SWITCH

Does your device have an onboard temperature sensor? Flip a switch to bypass the mount's cold plate sensor and send the signal directly to your temperature controller.

AT-A-GLANCE

Mounting Plates

- ▶ All Aluminum Design
- ▶ Standard Breadboard Pattern
- ▶ Customizable Mounting Holes
- ▶ Adaptor Plates Available

Cooling Mode

- ▶ Active Heating & Cooling

Thermal Capacity

- ▶ 50 Watts

Also Includes

- ▶ Integrated Fan
- ▶ External Temperature Switch



OPTIONAL HIGH TEMPERATURE

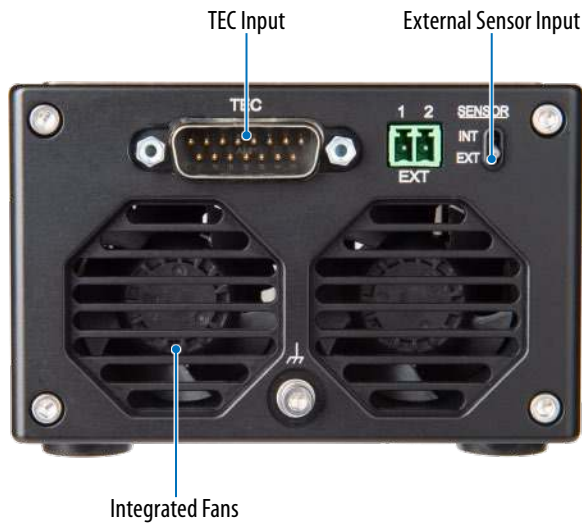
The 285 TECMount is available in an optional high temperature configuration, allowing for operation up to 150°C, but retaining the temperature range and thermal capacity of the standard mount. Because thermistors do not perform well at high temperatures, the sensor is replaced with a high accuracy Pt 100 RTD sensor.

Contact the factory for a quote.

285 TECMOUNT SPECIFICATIONS

		285-01	285-01-150
Temperature Control	Temperature Range (C)	-5 to +85, non-condensing	-5 to +150, non-condensing
	Sensor Type	10kΩ Thermister	100Ω Platinum RTD
	TE Module (at 25 °C)	I _{max} = 12Amp (recommend 8 Amp ITE Limit) V _{max} = 20 Volt	
General	Temperature Controller Connector	DB-15, male	
	External Sensor	Phoenix 2-Pin	
	Max Housing Temperature (°C)	60	
	Size (H x W x D) [inches (mm)]	2.68 (68.1) x 4 (101.6) x 6 (152.4)	

REAR VIEW



RECOMMENDED CONTROLLERS AND CABLES

The right temperature controller for your application depends on the mount and temperature range your application requires:

MODEL 285

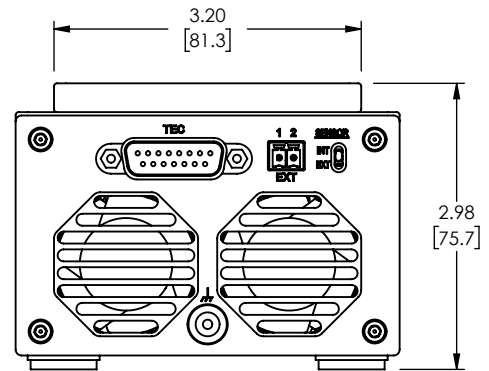
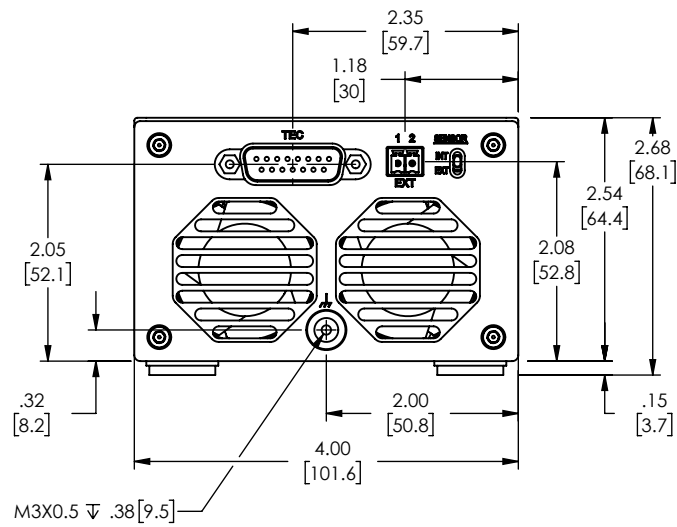
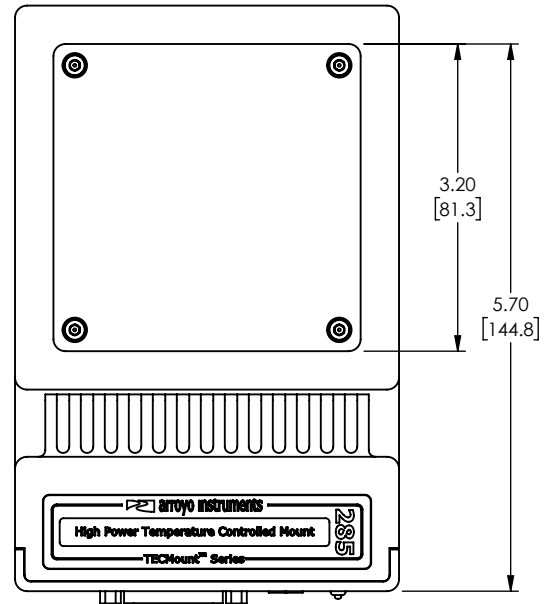
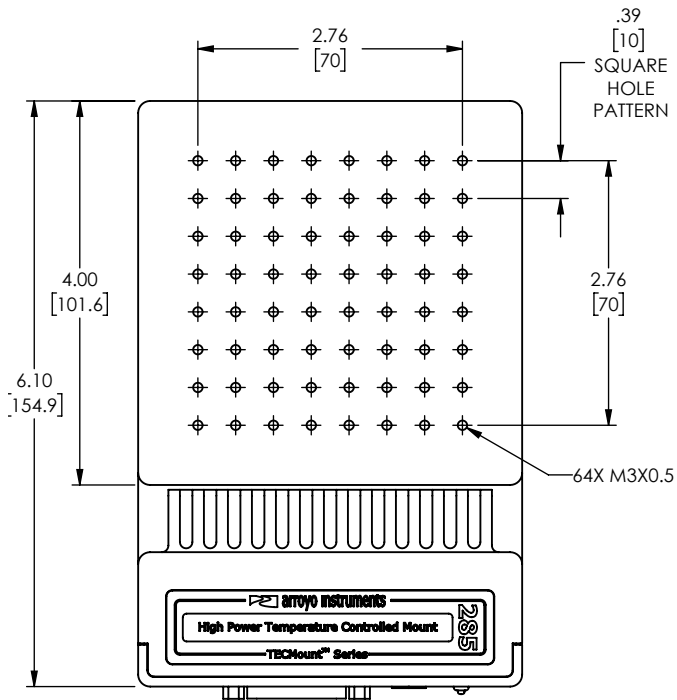
5305 TECSource and 1260B cable or,
6300 ComboSource and 1260B cable or,
5300-10-18 TECSource and 1262B cable

MODEL 285, 150°C

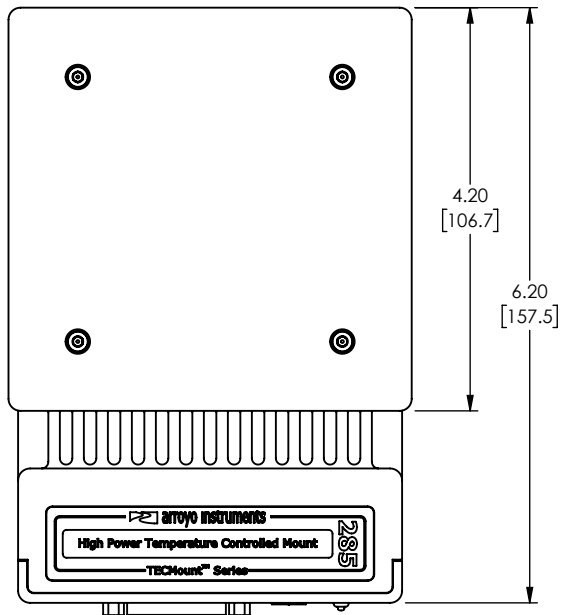
5300-08-24 TECSource and 1262B cable.

MECHANICAL DRAWINGS

3.2" ADAPTOR PLATE



4.2" ADAPTOR PLATE



5.2" ADAPTOR PLATE

